

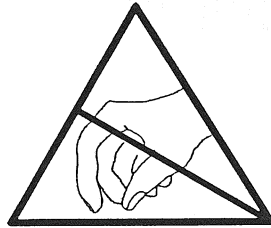
Schematic diagrams

B240-S Preamplifier

Distributor PCB (primary)	1.726.210.00
Mains transformer	1.725.224.00
Distributor PCB (secondary)	1.725.228.00
Input-output unit	1.725.247.00
Output unit	1.725.248.00
Line amplifier	1.725.277.00

Please note:

This document contains only the assemblies different from the ones in the B250 integrated amplifier!



Behandlung von MOS-Bauteilen

MOS-Bausteine sind besonders empfindlich auf elektrostatische Ladungen. Folgendes ist daher zu beachten:

- Elektrostatisch empfindliche Bauteile werden in Schutzverpackungen gelagert und transportiert.
- Jeder Kontakt der Elementanschlüsse mit elektrostatisch aufladbaren Materialien ist unbedingt zu vermeiden.
- Anschlüsse dürfen nur berührt werden, wenn das Handgelenk geerdet ist.
- Als Arbeitsunterlage ist eine geerdete, leitende Matte zu verwenden.
- Printkarten nicht unter Spannung herausziehen oder einstecken.

Handling MOS components

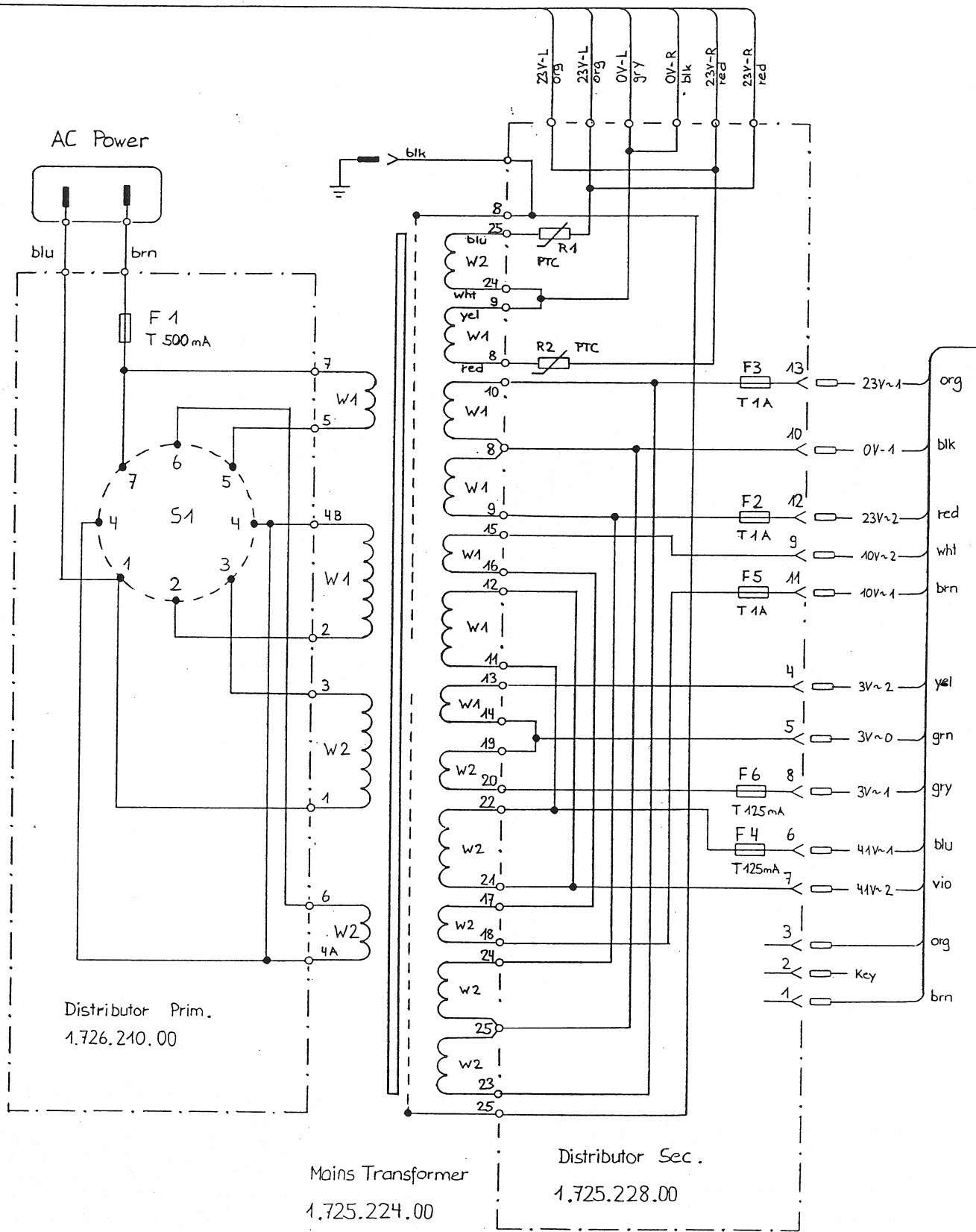
MOS components are extremely sensitive to static charges. Please observe therefore the following regulations:

- Components sensitive to static charges are stored and shipped in protective packaging. On the package you will find the symbol shown above.
- Avoid any contact of connector pins with foam packages and foil made of similar chargeable package material.
- Don't touch the connector pins if your wrist is not grounded with a conducting wristlet.
- Use a grounded conducting mat when working with sensitive components.
- Never plug or unplug PCB's containing sensitive components when the set is switched on.

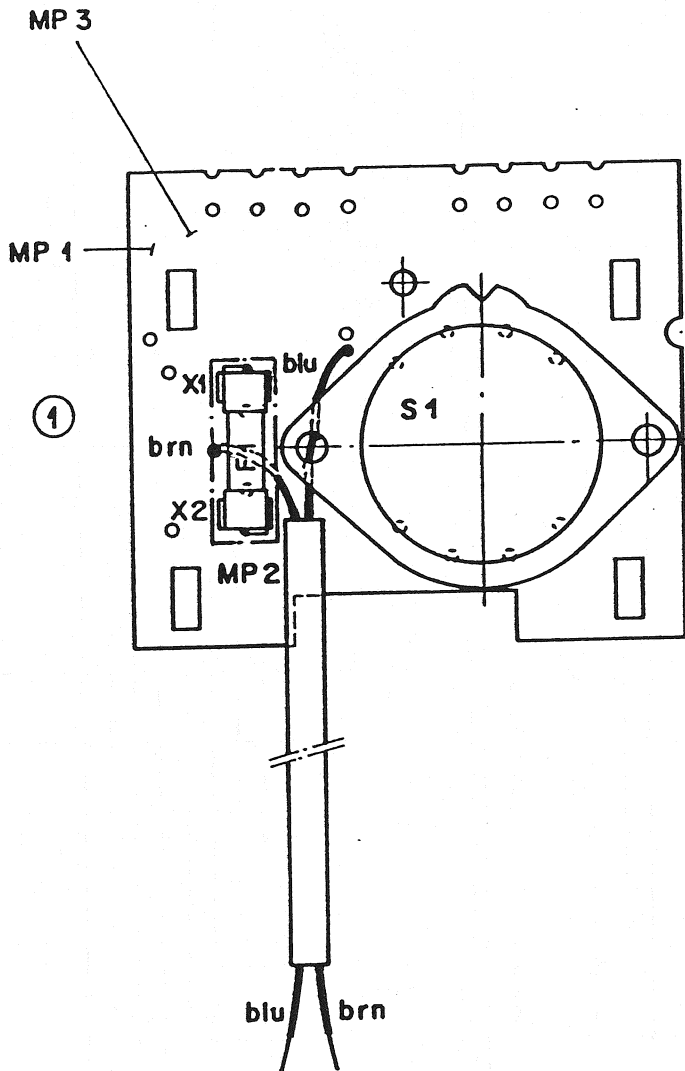
Manipulation des composants MOS

Les composants MOS sont extrêmement sensibles à l'électricité statique. Veuillez donc suivre les conseils:

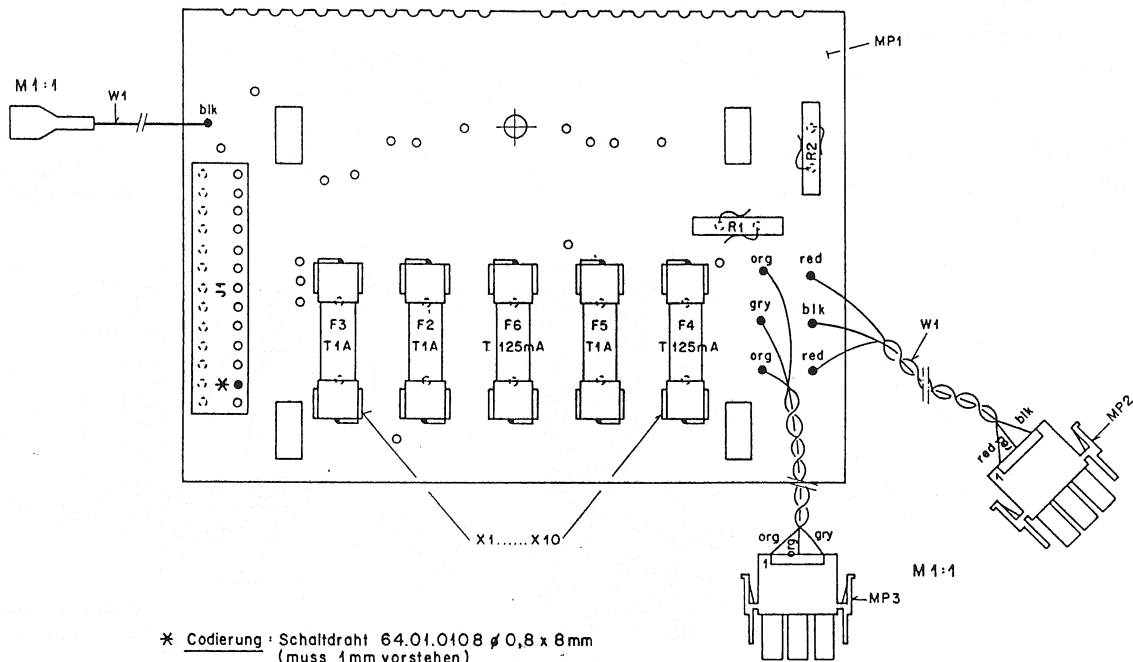
- Les composants MOS sont stockés et transportés dans des emballages protecteurs avec le symbole susmentionné.
- Évitez tout contact entre les broches des circuits et matériaux susceptible de porter une charge électrostatique.
- Ne touchez pas les broches des circuits si votre poignet n'est pas relié à la terre par bracelet conducteur.
- Utilisez un tapis conducteur relié à la terre quand vous travaillez avec des composants sensibles.
- Ne jamais enficher ou retirer des circuits imprimés si l'appareil est sous tension.



020290	PREAMPLIFIER B240-S	PAGE 1 OF 1
STUDER	MAINS TRANSFORMER	SC 1.725.224.00



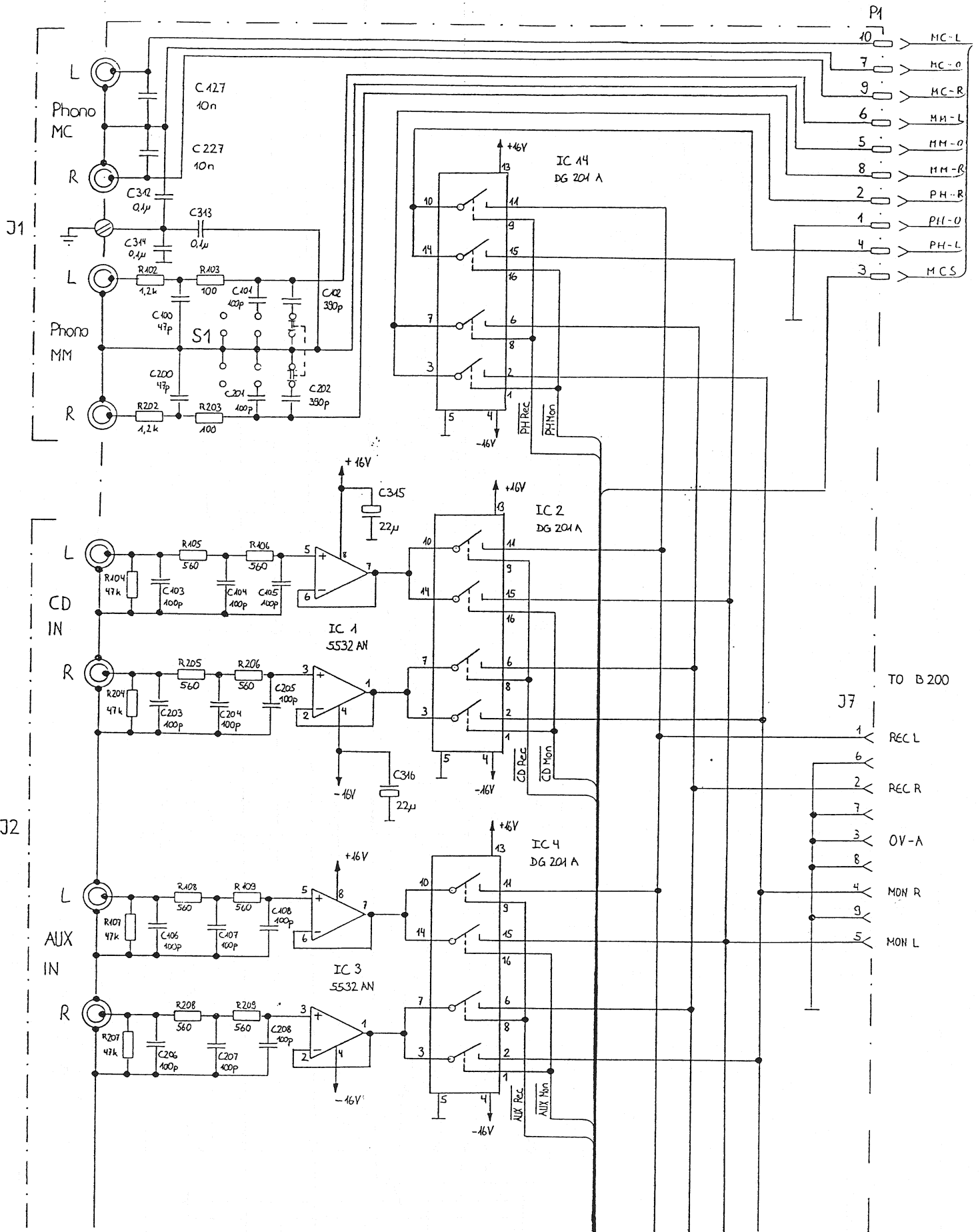
Werkstoff	Norm-Nr.:	Oberfläche	Güte:	Änderung					③	
	DIN-Bez.:		Beh.:		21.1.88	<i>7H</i>	<i>[Signature]</i>			②
	Abmessung:				25.11.87	<i>2</i>	<i>[Signature]</i>			①
Zugehörige Unterlagen:		Freimasstoleranz:	Maßstab:	Ausgabe	9.3.87	A.Ho	<i>[Signature]</i>		④	
PL		±	1:1	Datum	Gez.	Gepr.	Ges.	Index		
Ersatz für:		Ersetzt durch:		Kopie für:						
STUDER REGENSDORF ZÜRICH		Benennung: DISTRIBUTOR PRIM.		Nummer: 1.726.210-00						



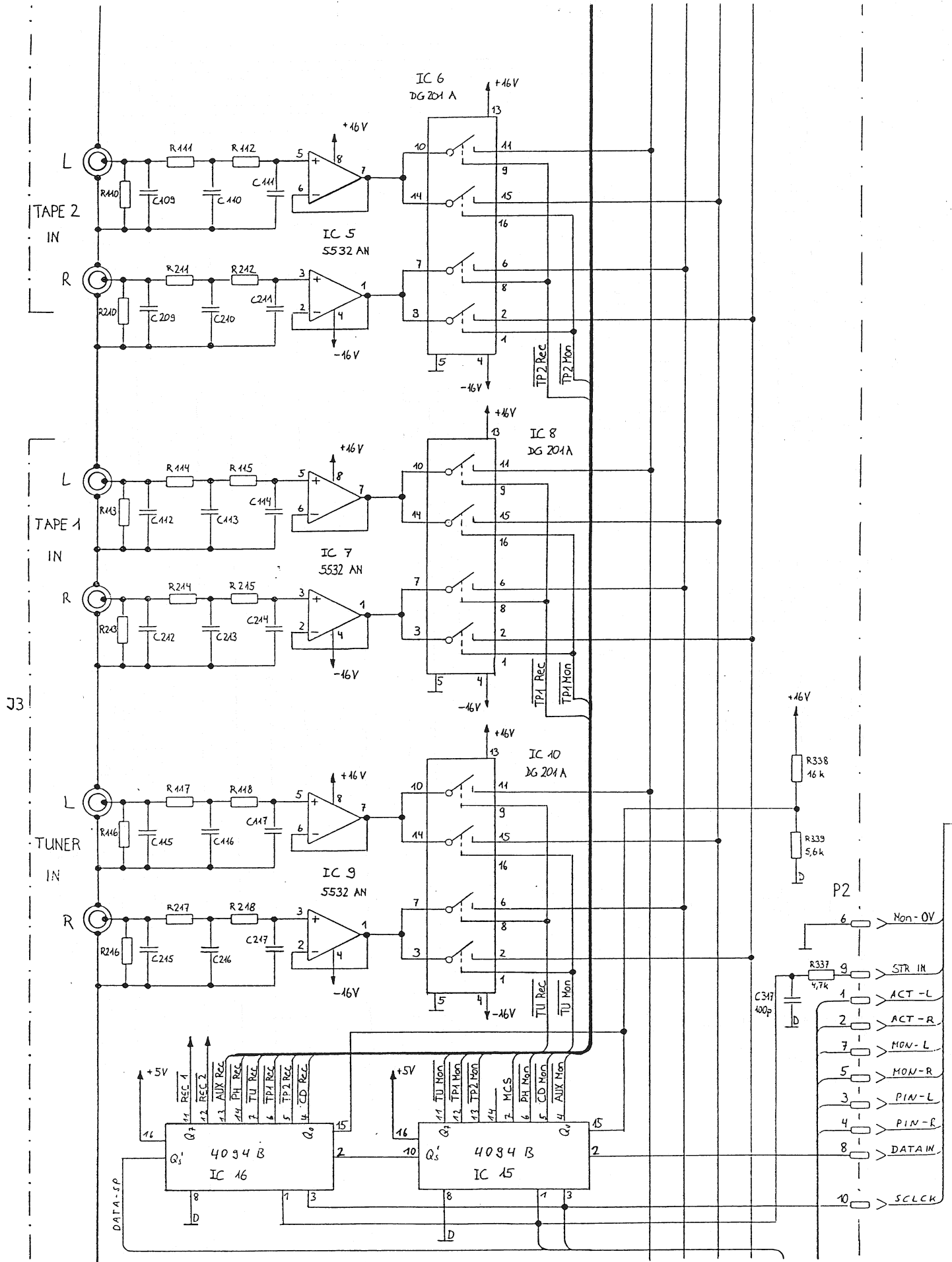
* Codierung : Schaltdraht 64.01.0108 \varnothing 0,8 x 8mm
(muss 1mm vorstehen)

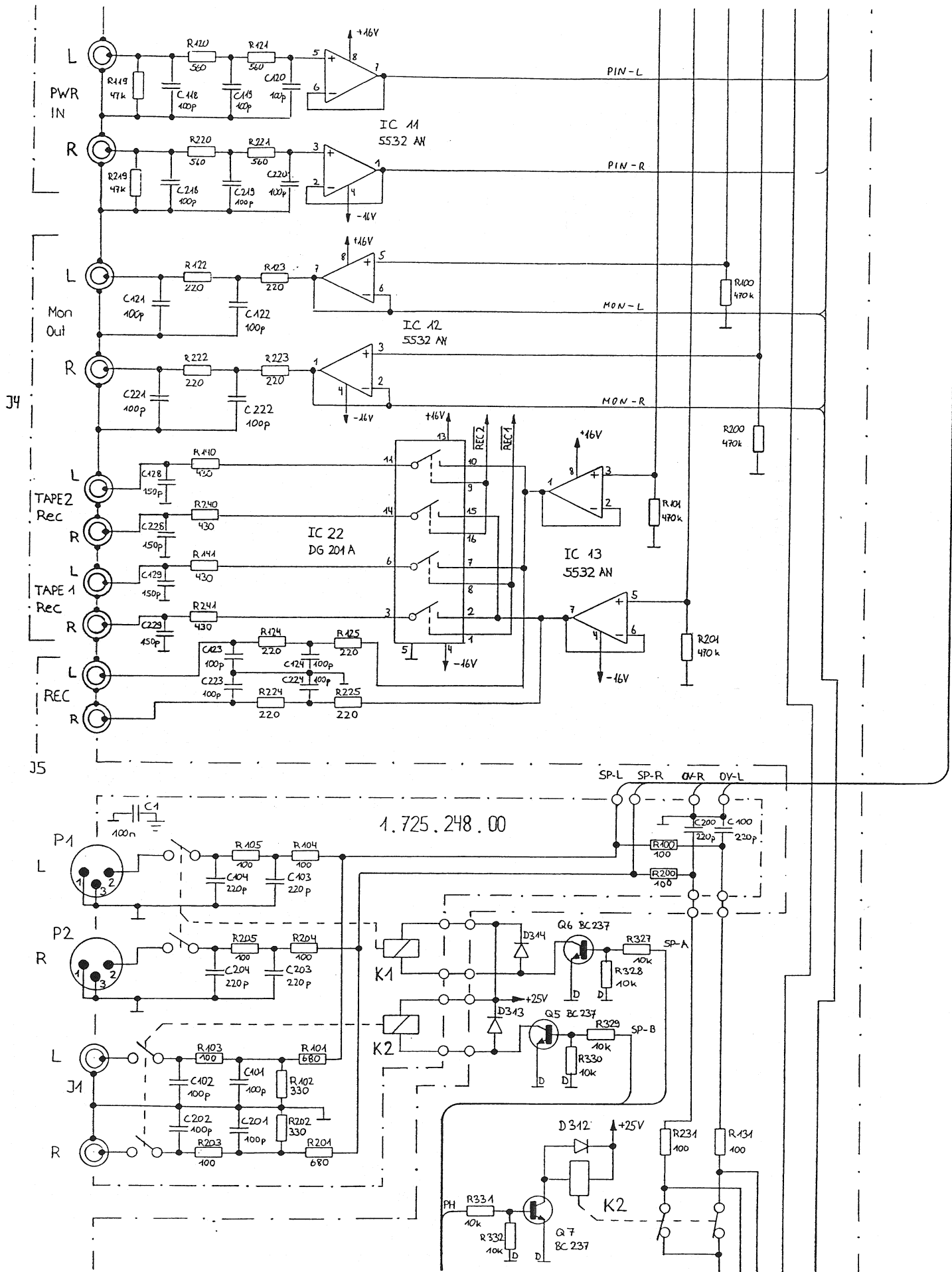
Nr. Etikette
aufgeklebt nach Fabrikationsmuster.

Werkstoff	Norm-Nr.:	Oberfläche	Güte:	Änderung						③	
	DIN-Bez.:		Beh.:								②
	Abmessung:										
Zugehörige Unterlagen:		Freimasstoleranz:	Maßstab:	Ausgabe	26.2.90	A. J. H. L. A.				④	
PL, BD		±	2:4 (1:1)	Datum		Gez.	Gepr.	Q. S.		Index	
Ersatz für:		Ersetzt durch:		Kopie für:							
STUDER REGENSDORF ZÜRICH		Benennung: DISTRIBUTOR SEC		Nummer: 1.725.228-00							

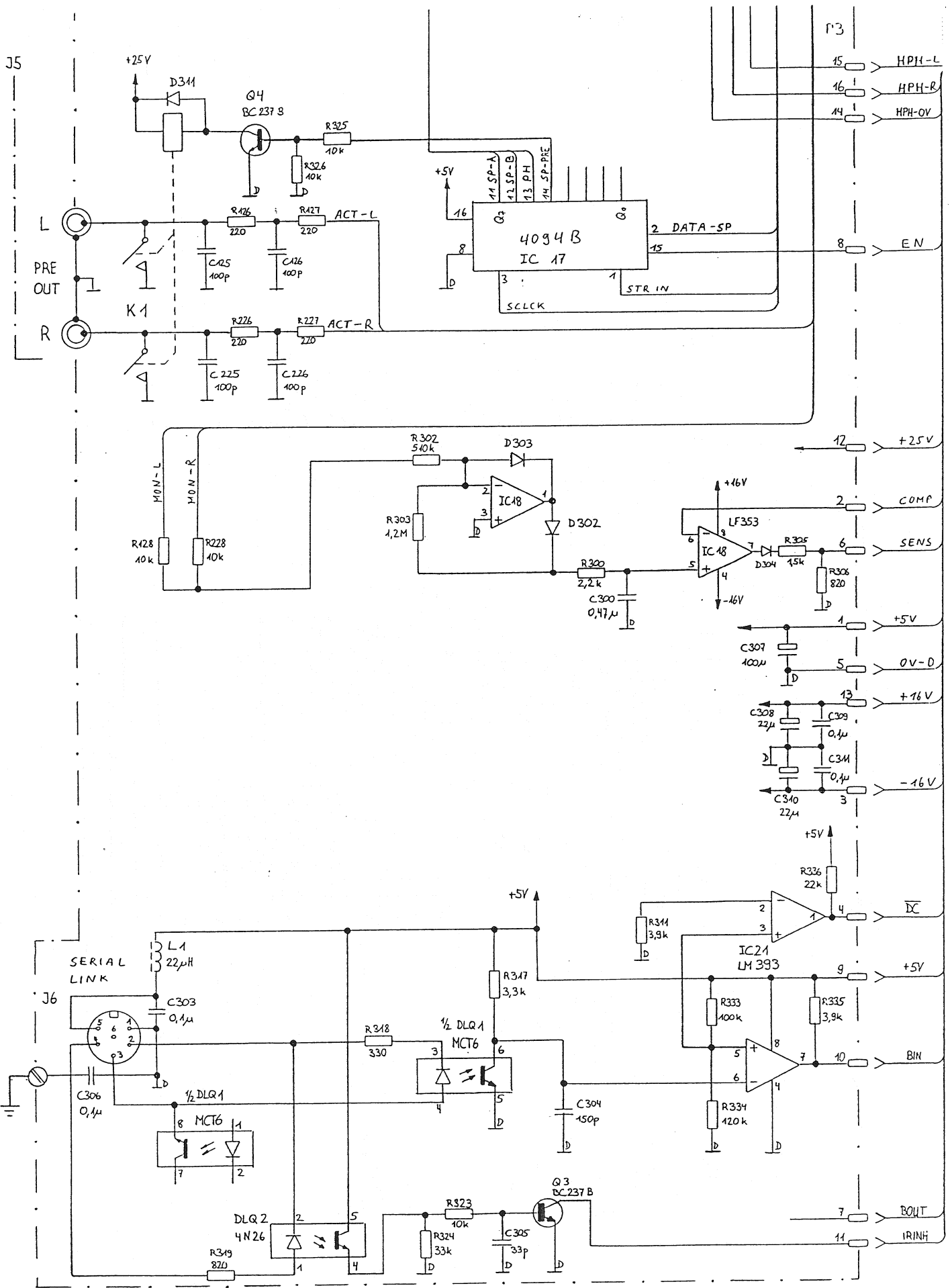


02.02.90					
PREAMPLIFIER B 240-S				PAGE 1 OF 4	
STUDER			INPUT - OUTPUT UNIT		SC 1.725.247.00





J5



02.02.90 SP

PREAMPLIFIER B 240-S

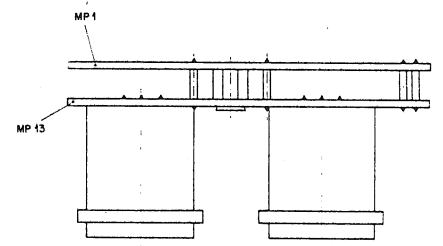
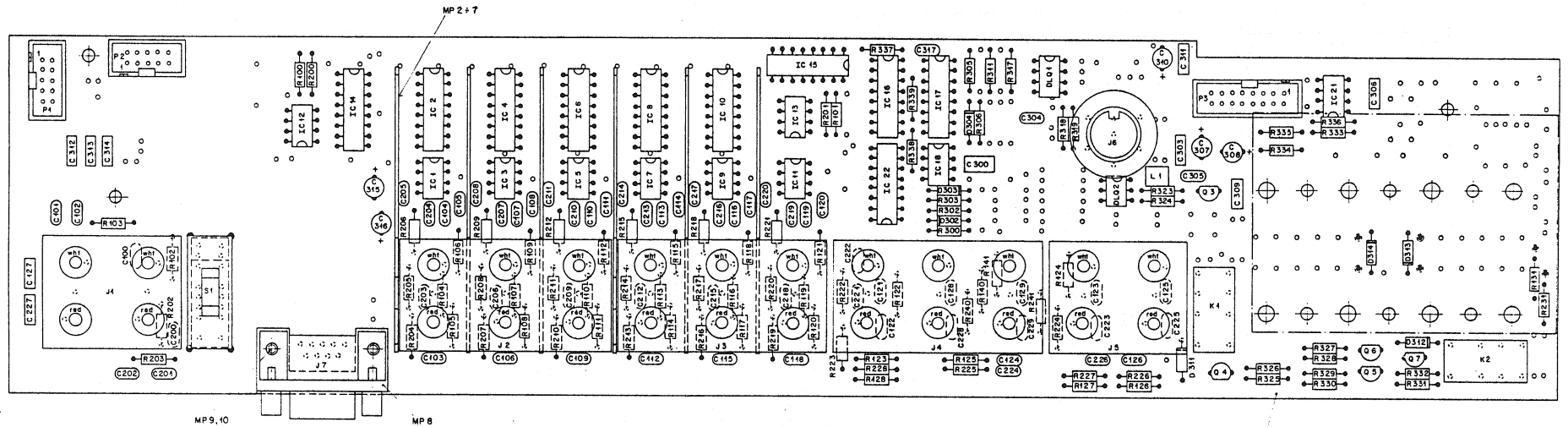
PAGE 4 OF 4

STUDER

INPUT - OUTPUT UNIT

SC

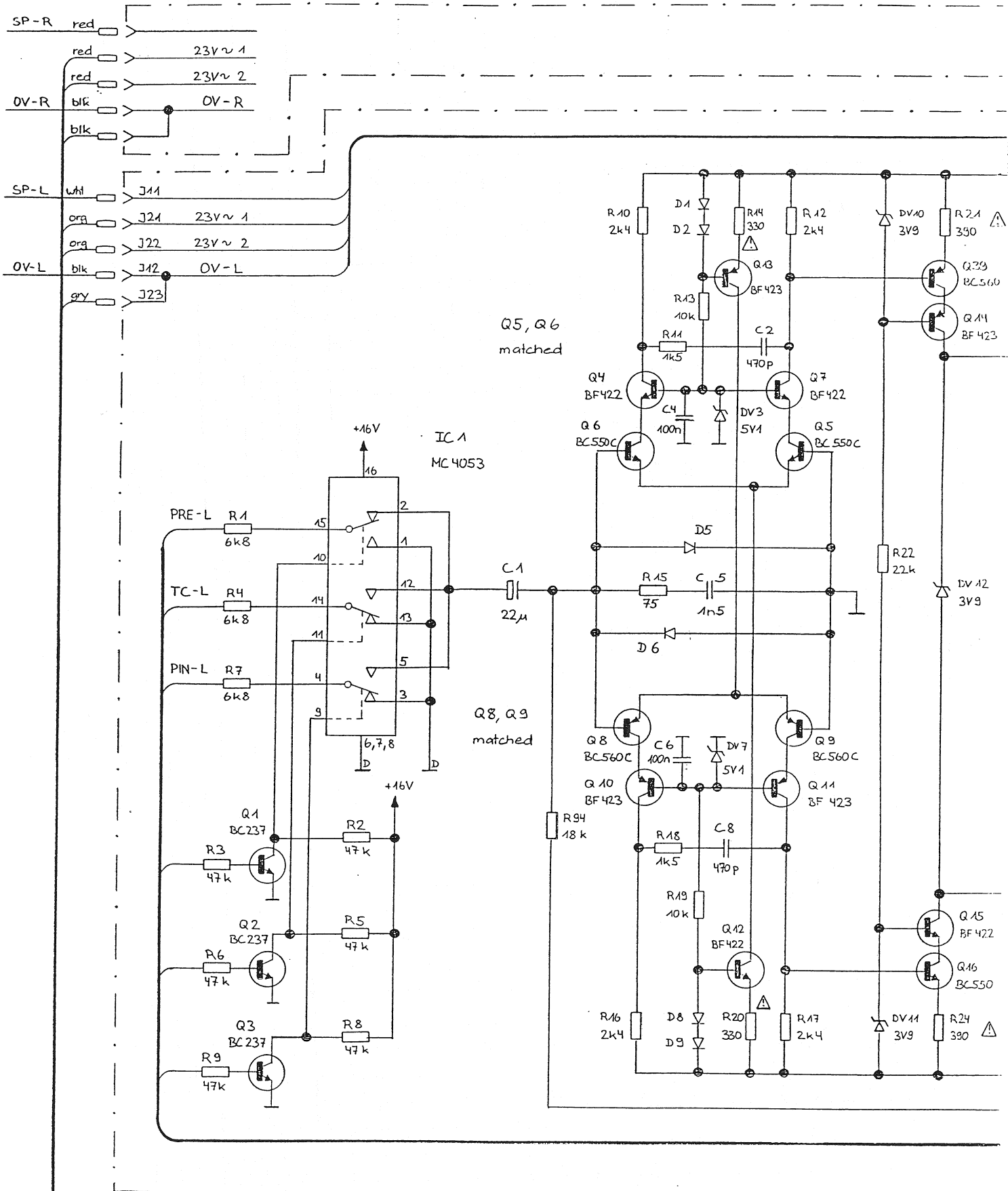
1.725.247.00



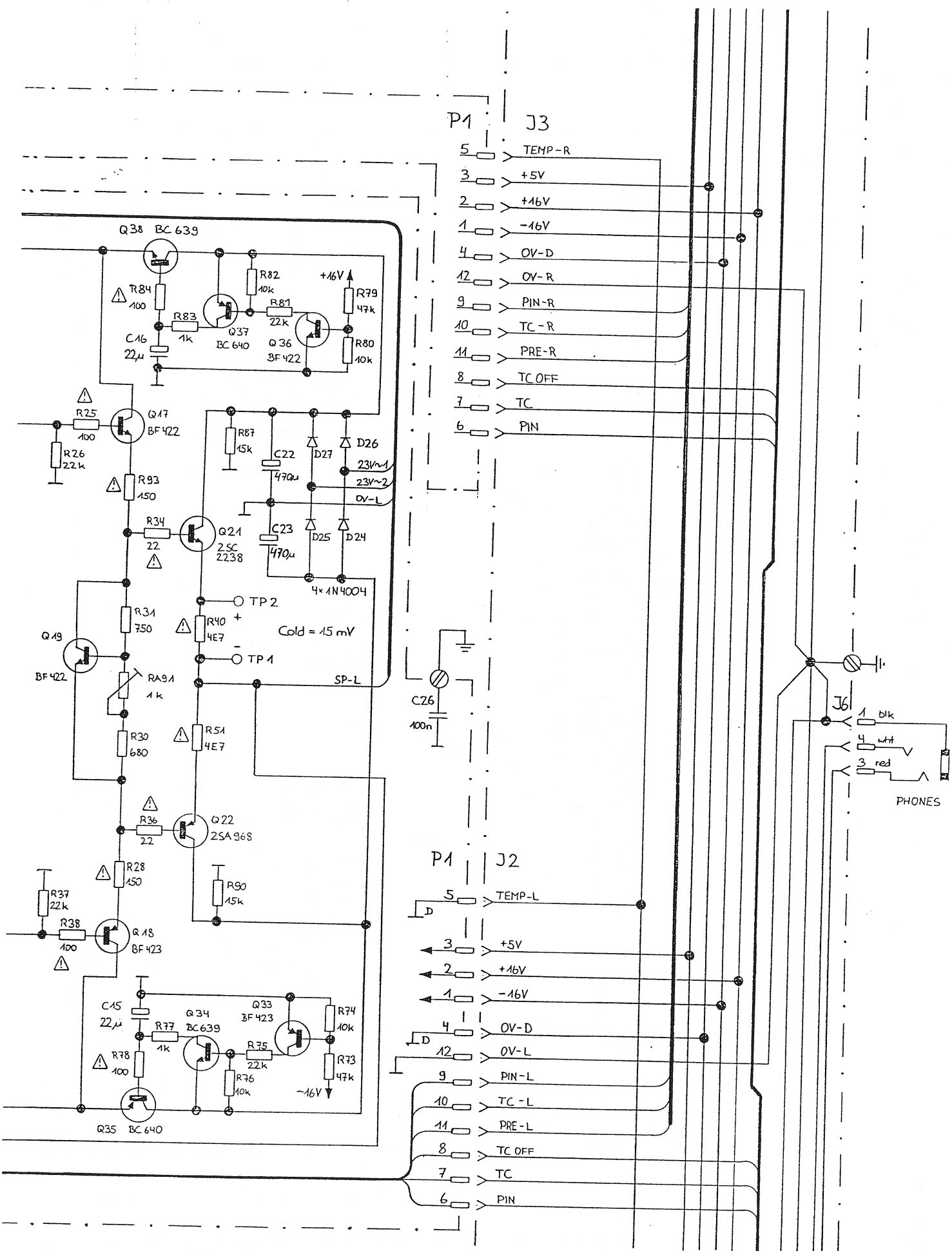
Nr. Etikette / Warnschild - ESE
nach Fabrikationsmuster aufgeklebt.

Werkstoff	Norm-Nr.	Date	Arbeitsnr.
Zeichnungs- Größe	DN-Bez.	Bau.	
Abmessung			
Zugehörige Unterlagen	Freiassoziation:	Maßstab	8.2.90 JZ 1/4
PL	=	2:1	Arbeits- Datum Gez. Gepr. Gepr. Insign.
Erstellt von			

INPUT-OUTPUT UNIT 1.725.247.00



02.02.90	19.06.90			
PREAMPLIFIER B240-S				PAGE 1 OF 2
STUDER			LINE - AMP	SC 1.725.277.00



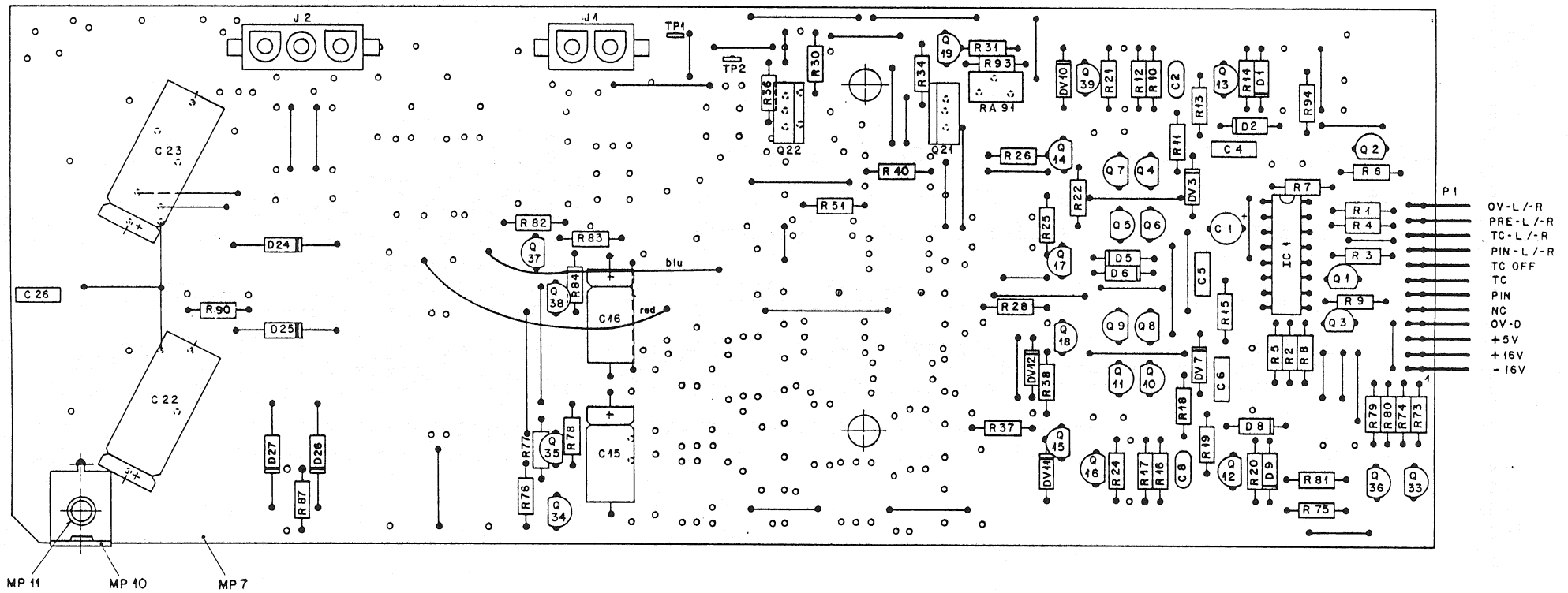
P1 J3

- 5 > TEMP-R
- 3 > +5V
- 2 > +16V
- 1 > -16V
- 4 > OV-D
- 12 > OV-R
- 9 > PIN-R
- 10 > TC-R
- 11 > PRE-R
- 8 > TC OFF
- 7 > TC
- 6 > PIN

P1 J2

- 5 > TEMP-L
- 3 > +5V
- 2 > +16V
- 1 > -16V
- 4 > OV-D
- 12 > OV-L
- 9 > PIN-L
- 10 > TC-L
- 11 > PRE-L
- 8 > TC OFF
- 7 > TC
- 6 > PIN

02.02.90 SP	19.06.90 SP			
PREAMPLIFIER B240-S			PAGE 2 OF 2	
STUDER		LINE - AMP		SC 1.725.277.00



Nr. Etikette / Warnschild-ESE
nach Fabrikationsmuster aufgeklebt.

Werkstoff	Norm-Nr.:	Oberfläche	Güte:	Anleitung	③
	DIN-Bez.:		Beh.:		②
Abmessung:	Zugehörige Unterlagen:	Freimasstoleranz:	Maßstab:	Ausgabe	19.6.90 <i>W. H. H.</i> ①
					PL
Ersetzt für:	Ersetzt durch:	Datum			Gez. Gepr. Ges. Index
Benennung:		Kopie für:			
STUWER REGENSDORF ZÜRICH		LINEAMPLIFIER ESE			Nummer: 1.725.277-00

④ R 39, R40, R89, R90

1.726.210.00 DISTRIBUTOR PRIM PCB

EG 86/12/0200

Ad	Pos.	Ref.No.	Description
F.....1		51.99.0124	Fuse TT 250mA
MP....1	1.726.210.11		Distributor PCB Prim.
MP....2	51.99.0128		Fuse Shield
MP....3	1.726.703.05		Designation Label
S.....1		53.03.0131	Voltage Selector
W.....1	1.726.210.93		Wire List
X.....1		53.03.0142	Fuse Holder
X.....2		53.03.0142	Fuse Holder

F1: PART NO. 51.99.0124 250mATT 5*20 ,only for 200...240V
 F1: PART NO. 51.99.0125 500mATT 5*20 ,only for 100...140V

END

1.725.228.00 DISTRIBUTOR SEC

SP 90/01/2500

Ad	Pos.	Ref.No.	Description
F.....2		51.01.0117	Fuse T 1A
F.....3		51.01.0117	Fuse T 1A
F.....4		51.01.0108	Fuse T 125mA
F.....5		51.01.0117	Fuse T 1A
F.....6		51.01.0108	Fuse T 125mA
J.....1		54.01.0292	13pole CIS-Socket
MP....1	1.725.228.11		Distributor PCB Sec
MP....2	54.25.0303		Power Connector
MP....3	54.25.0303		Power Connector
R.....1		57.92.7012	PTC 0,3 A
R.....2		57.92.7012	PTC 0,3 A
W.....1	1.725.228.93		Wire List
X.....1		53.03.0142	Fuse Holder
X.....2		53.03.0142	Fuse Holder
X.....3		53.03.0142	Fuse Holder
X.....4		53.03.0142	Fuse Holder
X.....5		53.03.0142	Fuse Holder
X.....6		53.03.0142	Fuse Holder
X.....7		53.03.0142	Fuse Holder
X.....8		53.03.0142	Fuse Holder
X.....9		53.03.0142	Fuse Holder
X.....10		53.03.0142	Fuse Holder

END

1.725.247.00 INPUT-OUTPUT UNIT 'ESE'

SP 90/01/2200

Ad	Pos.	Ref.No.	Description
C....100		59.34.2470	47 pF 10%, 25V, Cer
C....101		59.34.4101	100 pF 10%, 25V, Cer
C....102		59.34.5391	390 pF 10%, 25V, Cer
C....103		59.34.4101	100 pF 10%, 25V, Cer
C....104		59.34.4101	100 pF 10%, 25V, Cer
C....105		59.34.4101	100 pF 10%, 25V, Cer
C....106		59.34.4101	100 pF 10%, 25V, Cer
C....107		59.34.4101	100 pF 10%, 25V, Cer
C....108		59.34.4101	100 pF 10%, 25V, Cer
C....109		59.34.4101	100 pF 10%, 25V, Cer
C....110		59.34.4101	100 pF 10%, 25V, Cer
C....111		59.34.4101	100 pF 10%, 25V, Cer
C....112		59.34.4101	100 pF 10%, 25V, Cer
C....113		59.34.4101	100 pF 10%, 25V, Cer
C....114		59.34.4101	100 pF 10%, 25V, Cer
C....115		59.34.4101	100 pF 10%, 25V, Cer
C....116		59.34.4101	100 pF 10%, 25V, Cer
C....117		59.34.4101	100 pF 10%, 25V, Cer
C....118		59.34.4101	100 pF 10%, 25V, Cer
C....119		59.34.4101	100 pF 10%, 25V, Cer
C....120		59.34.4101	100 pF 10%, 25V, Cer
C....121		59.34.4101	100 pF 10%, 25V, Cer
C....122		59.34.4101	100 pF 10%, 25V, Cer
C....123		59.34.4101	100 pF 10%, 25V, Cer
C....124		59.34.4101	100 pF 10%, 25V, Cer

C....125	59.34.4101	100 pF	10%, 25V, Cer
C....126	59.34.4101	100 pF	10%, 25V, Cer
C....127	59.06.0103	10 nF	10%, 63V, PETP
C....128	59.34.4151	150 pF	10%, 25V, Cer
C....129	59.34.4151	150 pF	10%, 25V, Cer
C....200	59.34.2470	47 pF	10%, 25V, Cer
C....201	59.34.4101	100 pF	10%, 25V, Cer
C....202	59.34.5391	390 pF	10%, 25V, Cer
C....203	59.34.4101	100 pF	10%, 25V, Cer
C....204	59.34.4101	100 pF	10%, 25V, Cer
C....205	59.34.4101	100 pF	10%, 25V, Cer
C....206	59.34.4101	100 pF	10%, 25V, Cer
C....207	59.34.4101	100 pF	10%, 25V, Cer
C....208	59.34.4101	100 pF	10%, 25V, Cer
C....209	59.34.4101	100 pF	10%, 25V, Cer
C....210	59.34.4101	100 pF	10%, 25V, Cer
C....211	59.34.4101	100 pF	10%, 25V, Cer
C....212	59.34.4101	100 pF	10%, 25V, Cer
C....213	59.34.4101	100 pF	10%, 25V, Cer
C....214	59.34.4101	100 pF	10%, 25V, Cer
C....215	59.34.4101	100 pF	10%, 25V, Cer
C....216	59.34.4101	100 pF	10%, 25V, Cer
C....217	59.34.4101	100 pF	10%, 25V, Cer
C....218	59.34.4101	100 pF	10%, 25V, Cer
C....219	59.34.4101	100 pF	10%, 25V, Cer
C....220	59.34.4101	100 pF	10%, 25V, Cer
C....221	59.34.4101	100 pF	10%, 25V, Cer
C....222	59.34.4101	100 pF	10%, 25V, Cer
C....223	59.34.4101	100 pF	10%, 25V, Cer
C....224	59.34.4101	100 pF	10%, 25V, Cer
C....225	59.34.4101	100 pF	10%, 25V, Cer
C....226	59.34.4101	100 pF	10%, 25V, Cer
C....227	59.06.0103	10 nF	10%, 63V, PETP
C....228	59.34.4151	150 pF	10%, 25V, Cer
C....229	59.34.4151	150 pF	10%, 25V, Cer
C....300	59.06.0474	470 nF	10%, 63V, PETP
C....303	59.06.0104	0.1 uF	10%, 63V, PETP
C....304	59.34.4151	150 pF	10%, 25V, Cer
C....305	59.34.2330	33 pF	10%, 25V, Cer
C....306	59.06.0104	0.1 uF	10%, 63V, PETP
C....307	59.22.3101	100 uF	-20%, 10V, EL
C....308	59.22.5220	22 uF	-20%, 25V, EL
C....309	59.06.0104	0.1 uF	10%, 63V, PETP
C....310	59.22.5220	22 uF	-20%, 25V, EL
C....311	59.06.0104	0.1 uF	10%, 63V, PETP
C....312	59.06.0104	0.1 uF	10%, 63V, PETP
C....313	59.06.0104	0.1 uF	10%, 63V, PETP
C....314	59.06.0104	0.1 uF	10%, 63V, PETP
C....315	59.22.5220	22 uF	-20%, 25V, EL
C....316	59.22.5220	22 uF	-20%, 25V, EL
C....317	59.34.4101	100 pF	10%, 25V, Cer
D....302	50.04.0125	1N 4448	
D....303	50.04.0125	1N 4448	
D....304	50.04.0125	1N 4448	
D....311	50.04.0125	1N 4448	
D....312	50.04.0125	1N 4448	
D....313	50.04.0125	1N 4448	
D....314	50.04.0125	1N 4448	
DLQ...1	50.99.0111	MCT-6	Opto-Coupler Dual
DLQ...2	50.99.0126	4 N 28	Opto-Coupler
IC....1	50.09.0106	NE 5532AN	Low Noise OP-AMP Dual
IC....2	50.19.0300	DG 211 CJ	DG 201ACJ SX
IC....3	50.09.0106	NE 5532AN	Low Noise OP-AMP Dual
IC....4	50.19.0300	DG 211 CJ	DG 201ACJ SX
IC....5	50.09.0106	NE 5532AN	Low Noise OP-AMP Dual
IC....6	50.19.0300	DG 211 CJ	DG 201ACJ SX
IC....7	50.09.0106	NE 5532AN	Low Noise OP-AMP Dual
IC....8	50.19.0300	DG 211 CJ	DG 201ACJ SX
IC....9	50.09.0106	NE 5532AN	Low Noise OP-AMP Dual
IC....10	50.19.0300	DG 211 CJ	DG 201ACJ SX
IC....11	50.09.0106	NE 5532AN	Low Noise OP-AMP Dual
IC....12	50.09.0106	NE 5532AN	Low Noise OP-AMP Dual
IC....13	50.09.0106	NE 5532AN	Low Noise OP-AMP Dual
IC....14	50.19.0300	DG 211 CJ	DG 201ACJ SX
IC....15	50.07.0018	MC 14094B	HEF 4094B
IC....16	50.07.0018	MC 14094B	HEF 4094B
IC....17	50.07.0018	MC 14094B	HEF 4094B
IC....18	50.09.0101	TL 072ACP	LF 353
IC....21	50.05.0283	LM 393	Low Power Comparator Dual
IC....22	50.19.0300	DG 211 CJ	DG 201ACJ SX
J.....1	54.21.2013	4-pole	Pin Jacks
J.....2	54.21.2014	6-pole	Pin Jacks
J.....3	54.21.2014	6-pole	Pin Jacks
J.....4	54.21.2014	6-pole	Pin Jacks
J.....5	54.21.2013	4-pole	Pin Jacks
J.....6	54.21.1199	6-pole	Connector DIN
J.....7	54.99.0204	9-pole	Connector D-Type Female
K.....1	56.04.0161		24 V, 2A, 1100 Ohm Zettler, Omron
K.....2	56.04.0161		24 V, 2A, 1100 Ohm Zettler, Omron
L.....1	62.02.3220	22 uH	HF-Choke R < 1,4 Ohm , I dc=200 mA
MP....1	1.725.241.11		Input-Output PCB
MP....2	1.725.240.01		Screen
MP....3	1.725.240.01		Screen
MP....4	1.725.240.01		Screen
MP....5	1.725.240.01		Screen
MP....6	1.725.240.01		Screen
MP....7	1.725.240.01		Screen
MP....8	1.725.241.01		Insulator
MP....9	21.38.0355		Screw M3 * 8
MP....10	21.38.0355		Screw M3 * 8
MP....13	1.725.248.00		Output-Unit
P.....1	54.14.2001	10 pole	Flat Cable Connector

P.....2	54.14.2001	10 pole	Flat Cable Connector
P.....3	54.14.2002	16 pole	Flat Cable Connector
Q.....3	50.03.0436	BC 237B	NPN
Q.....4	50.03.0436	BC 237B	NPN
Q.....5	50.03.0436	BC 237B	NPN
Q.....6	50.03.0436	BC 237B	NPN
Q.....7	50.03.0436	BC 237B	NPN
R...100	57.11.4474	470 KOhm	2%, 0.25W, MF
R...101	57.11.4474	470 KOhm	2%, 0.25W, MF
R...102	57.11.4122	1,2 KOhm	2%, 0.25W, MF
R...103	57.11.4101	100 Ohm	2%, 0.25W, MF
R...104	57.11.4473	47 KOhm	2%, 0.25W, MF
R...105	57.11.4561	560 Ohm	2%, 0.25W, MF
R...106	57.11.4561	560 Ohm	2%, 0.25W, MF
R...107	57.11.4473	47 KOhm	2%, 0.25W, MF
R...108	57.11.4561	560 Ohm	2%, 0.25W, MF
R...109	57.11.4561	560 Ohm	2%, 0.25W, MF
R...110	57.11.4473	47 KOhm	2%, 0.25W, MF
R...111	57.11.4561	560 Ohm	2%, 0.25W, MF
R...112	57.11.4561	560 Ohm	2%, 0.25W, MF
R...113	57.11.4473	47 KOhm	2%, 0.25W, MF
R...114	57.11.4561	560 Ohm	2%, 0.25W, MF
R...115	57.11.4561	560 Ohm	2%, 0.25W, MF
R...116	57.11.4473	47 KOhm	2%, 0.25W, MF
R...117	57.11.4561	560 Ohm	2%, 0.25W, MF
R...118	57.11.4561	560 Ohm	2%, 0.25W, MF
R...119	57.11.4473	47 KOhm	2%, 0.25W, MF
R...120	57.11.4561	560 Ohm	2%, 0.25W, MF
R...121	57.11.4561	560 Ohm	2%, 0.25W, MF
R...122	57.11.4221	220 Ohm	2%, 0.25W, MF
R...123	57.11.4221	220 Ohm	2%, 0.25W, MF
R...124	57.11.4221	220 Ohm	2%, 0.25W, MF
R...125	57.11.4221	220 Ohm	2%, 0.25W, MF
R...126	57.11.4221	220 Ohm	2%, 0.25W, MF
R...127	57.11.4221	220 Ohm	2%, 0.25W, MF
R...128	57.11.4103	10 KOhm	2%, 0.25W, MF
R...131	57.11.3101	100 Ohm	2%, 0.25W, MF
R...140	57.11.3431	430 Ohm	2%, 0.25W, MF
R...141	57.11.3431	430 Ohm	2%, 0.25W, MF
R...200	57.11.4474	470 KOhm	2%, 0.25W, MF
R...201	57.11.4474	470 KOhm	2%, 0.25W, MF
R...202	57.11.4122	1,2 KOhm	2%, 0.25W, MF
R...203	57.11.4101	100 Ohm	2%, 0.25W, MF
R...204	57.11.4473	47 KOhm	2%, 0.25W, MF
R...205	57.11.4561	560 Ohm	2%, 0.25W, MF
R...206	57.11.4561	560 Ohm	2%, 0.25W, MF
R...207	57.11.4473	47 KOhm	2%, 0.25W, MF
R...208	57.11.4561	560 Ohm	2%, 0.25W, MF
R...209	57.11.4561	560 Ohm	2%, 0.25W, MF
R...210	57.11.4473	47 KOhm	2%, 0.25W, MF
R...211	57.11.4561	560 Ohm	2%, 0.25W, MF
R...212	57.11.4561	560 Ohm	2%, 0.25W, MF
R...213	57.11.4473	47 KOhm	2%, 0.25W, MF
R...214	57.11.4561	560 Ohm	2%, 0.25W, MF
R...215	57.11.4561	560 Ohm	2%, 0.25W, MF
R...216	57.11.4473	47 KOhm	2%, 0.25W, MF
R...217	57.11.4561	560 Ohm	2%, 0.25W, MF
R...218	57.11.4561	560 Ohm	2%, 0.25W, MF
R...219	57.11.4473	47 KOhm	2%, 0.25W, MF
R...220	57.11.4561	560 Ohm	2%, 0.25W, MF
R...221	57.11.4561	560 Ohm	2%, 0.25W, MF
R...222	57.11.4221	220 Ohm	2%, 0.25W, MF
R...223	57.11.4221	220 Ohm	2%, 0.25W, MF
R...224	57.11.4221	220 Ohm	2%, 0.25W, MF
R...225	57.11.4221	220 Ohm	2%, 0.25W, MF
R...226	57.11.4221	220 Ohm	2%, 0.25W, MF
R...227	57.11.4221	220 Ohm	2%, 0.25W, MF
R...228	57.11.4103	10 KOhm	2%, 0.25W, MF
R...231	57.11.3101	100 Ohm	2%, 0.25W, MF
R...240	57.11.3431	430 Ohm	2%, 0.25W, MF
R...241	57.11.3431	430 Ohm	2%, 0.25W, MF
R...300	57.11.4222	2,2 KOhm	2%, 0.25W, MF
R...302	57.11.3514	510 KOhm	2%, 0.25W, MF
R...303	57.11.4125	1,2 MOhm	2%, 0.25W, MF
R...305	57.11.4152	1,5 KOhm	2%, 0.25W, MF
R...306	57.11.4821	820 Ohm	2%, 0.25W, MF
R...311	57.11.4392	3,9 KOhm	2%, 0.25W, MF
R...317	57.11.4332	3,3 KOhm	2%, 0.25W, MF
R...318	57.11.4331	330 Ohm	2%, 0.25W, MF
R...319	57.11.4821	820 Ohm	2%, 0.25W, MF
R...323	57.11.4103	10 KOhm	2%, 0.25W, MF
R...324	57.11.4333	33 KOhm	2%, 0.25W, MF
R...325	57.11.4103	10 KOhm	2%, 0.25W, MF
R...326	57.11.4103	10 KOhm	2%, 0.25W, MF
R...327	57.11.4103	10 KOhm	2%, 0.25W, MF
R...328	57.11.4103	10 KOhm	2%, 0.25W, MF
R...329	57.11.4103	10 KOhm	2%, 0.25W, MF
R...330	57.11.4103	10 KOhm	2%, 0.25W, MF
R...331	57.11.4103	10 KOhm	2%, 0.25W, MF
R...332	57.11.4103	10 KOhm	2%, 0.25W, MF
R...333	57.11.4104	100 KOhm	2%, 0.25W, MF
R...334	57.11.4124	120 KOhm	2%, 0.25W, MF
R...335	57.11.4392	3,9 KOhm	2%, 0.25W, MF
R...336	57.11.4223	22 KOhm	2%, 0.25W, MF
R...337	57.11.4472	4,7 KOhm	2%, 0.25W, MF
R...338	57.11.3163	16 KOhm	2%, 0.25W, MF
R...339	57.11.4562	5,6 KOhm	2%, 0.25W, MF
S.....1	55.12.0006		Switch 4*3

Left Channel: NO. 100 ...
 Right Channel: NO. 200 ...
 Both Channel: NO. 300 ... , NO. 1 ...

MF=Metalfilm
 Cer=Ceramic
 PETP=Polyester
 EL=Electrolytic

MANUFACTURER: WAKA , St=Studer , Mot=Motorola , To=Toshiba
 SX=Siliconix, Ph=Philips, NS=National Semiconductors
 Ha=Harris, TI=Texas Instruments, Ra=Raytheon,
 Sig=Signetics

END

1.725.248.00 OUTPUT-UNIT SP 90/01/2200

Ad	..Pos..	...Ref.No...	Description		
		C.....1	59.06.0104	100 nF	10%, 25V, PETP
		C...100	59.34.4221	220 pF	10%, 25V, Cer
		C...101	59.34.4101	100 pF	10%, 25V, Cer
		C...102	59.34.4101	100 pF	10%, 25V, Cer
		C...103	59.34.4221	220 pF	10%, 25V, Cer
		C...104	59.34.4221	220 pF	10%, 25V, Cer
		C...200	59.34.4221	220 pF	10%, 25V, Cer
		C...201	59.34.4101	100 pF	10%, 25V, Cer
		C...202	59.34.4101	100 pF	10%, 25V, Cer
		C...203	59.34.4221	220 pF	10%, 25V, Cer
		C...204	59.34.4221	220 pF	10%, 25V, Cer
		J.....1	54.21.2012	2-pole	Pin Jacks
		K.....1	56.04.0197		2 * u
		K.....2	56.04.0197		2 * u
		MP.....1	1.725.248.11		Output-Unit-PCB
		MP.....2	1.010.507.27		Distance Holder 6mm
		MP.....3	1.010.507.27		Distance Holder 6mm
		MP.....4	1.010.026.54	6 pcs	Print Contact
		MP.....5	54.25.0302	2 pcs	Power Connector
		P.....1	54.21.2001	3-pole	XLR Connector male
		P.....2	54.21.2001	3-pole	XLR Connector male
		R...100	57.11.3101	100 Ohm	2%, 0.25W, MF
		R...101	57.11.3681	680 Ohm	2%, 0.25W, MF
		R...102	57.11.3331	330 Ohm	2%, 0.25W, MF
		R...103	57.11.3101	100 Ohm	2%, 0.25W, MF
		R...104	57.11.3101	100 Ohm	2%, 0.25W, MF
		R...105	57.11.3101	100 Ohm	2%, 0.25W, MF
		R...200	57.11.3101	100 Ohm	2%, 0.25W, MF
		R...201	57.11.3681	680 Ohm	2%, 0.25W, MF
		R...202	57.11.3331	330 Ohm	2%, 0.25W, MF
		R...203	57.11.3101	100 Ohm	2%, 0.25W, MF
		R...204	57.11.3101	100 Ohm	2%, 0.25W, MF
		R...205	57.11.3101	100 Ohm	2%, 0.25W, MF
		W.....1	1.725.248.93		Wire List

WAKA
 SDS
 SDS

Left Channel: NO. 100 ...
 Right Channel: NO. 200 ...
 Both Channel: NO. 1 ...

MF=Metalfilm
 Cer=Ceramic
 PETP=Polyester
 EL=Electrolytic

END

